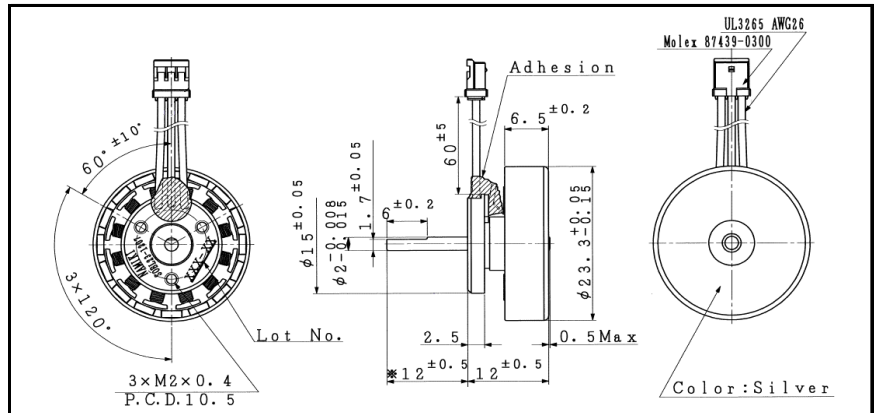
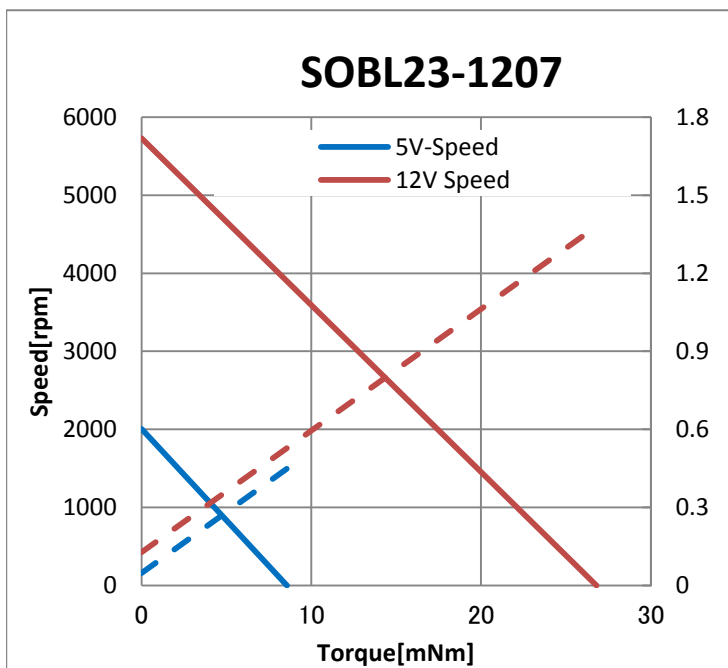


SOBL23-1207

Sensorless brushless motor, outer rotor type



	SOBL23-1207		
1 Nominal voltage	5.0	12.0	V
2 Terminal resistance	6.9		Ω
3 Output power	0.45	3.44	W
4 Efficiency	46	49	%
5 No load speed	2000	5730	rpm
6 No load current	0.047	0.127	A
7 Stall current	0.45	1.38	A
8 Stall torque	8.6	26.8	mNm
9 Torque constant	21.3	19.4	mNm/A
10 Rotor inertia	4.8		qcm ²
11 Max. Torque	8.0		mNm
12 Weight	11.8		g



General Data

13 Operating temperature	-20~+55	°C
14 Storage temperature	-40~60	°C
15 Max. shaft radial load	8	N
16 Max. shaft axial load	5	N
17 Max. axial load at standstill	20	N
18 Shaft radial play	≤ 0.03	mm
19 Shaft axial play	≤ 0.01	mm

Connector Specification:

Model name: 87439-300/MOLEX

PIN No.	Function	Cable color
1	U	black
2	V	white
3	W	red

Notice

- ※Motor characteristics are measured with SHSD24-01A
- ※Specifications subject to change without notice

V01

Namiki Precision Jewel Co.,Ltd

TEL: 03-5390-7620 FAX: 03-5390-8082

URL: www.namiki.net

E-mail: motor-sales@namiki.net