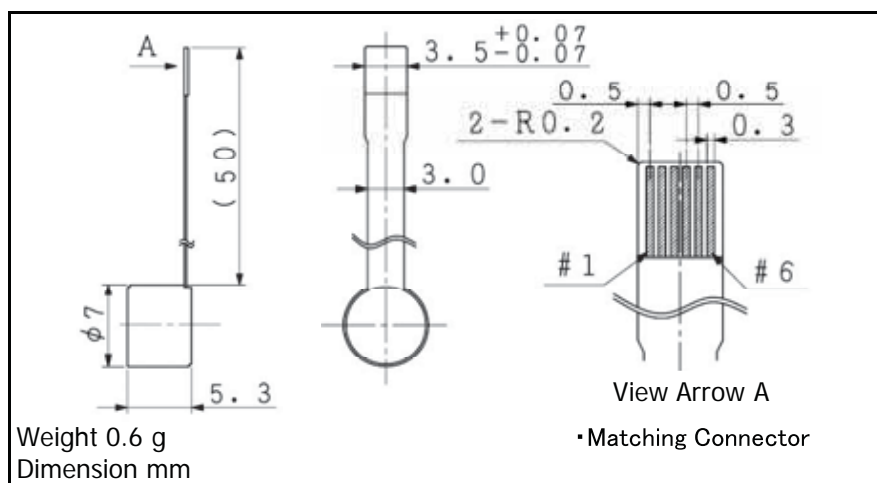


ETD07-2B

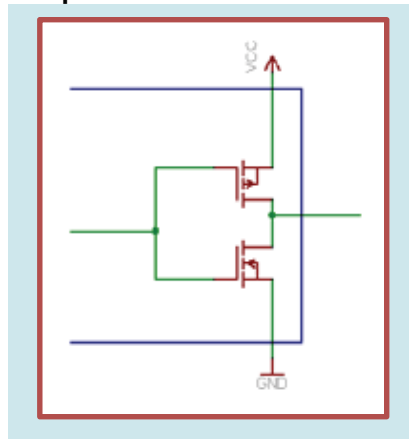
2 Channel optical incremental encoder

Preliminary Special Specification



For combination with motors : SBL07, SCL07 Series

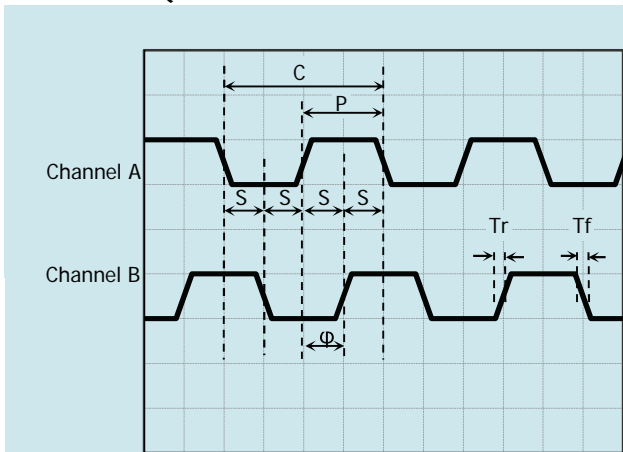
Output circuit



Specifications at 25°C

	ETD07-2B	
1 Sensor	Optical	
2 Encoder Type	Incremental	
3 Output Signal	CMOS/TTL Compatible	
4 Number of Channels	2	channel
5 Resolution (Max. speed = 50,000 rpm)	64	pulse/rev
6 Max. Frequency Response	55	kHz
7 Supply Voltage, Vcc	4.5 . . . 5.5	V
8 Supply Current, typical	15	mA
9 Output Voltage "H"	≥ 2.4 (Max. Vcc)	V
10 Output Voltage "L"	≤ 0.4	V
11 Output current per channel	1.5	mA
12 Rise and fall time ($R_L = 2.7 \text{ k}\Omega$ and $C_L = 25 \text{ pF}$), typical	$T_r = 100, T_f = 100$	ns
13 Inertia	TBD	gmm^2
14 Operating Temperature	-20 . . . +85	°C
15 Storage Temperature	-20 . . . +85	°C

Wave form (for motor shaft clockwise rotation)



Output signal information

Cycle C	360	°e
Pulse P	180	°e
A to B channel phase shift, ϕ	90 ± 45	°e
Logic state width, S	90 ± 45	°e

※Maximal error (\pm °e) indicated above

Electrical connections

#1	Vcc	DC5V
#2	Ch.B	CMOS/TTL Compatible
#3	Ch.A	CMOS/TTL Compatible
#4	—	NC
#5	GND	
#6	—	NC

V011

Specifications subject to change without notice