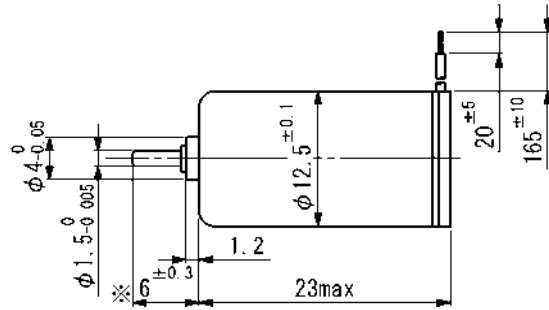
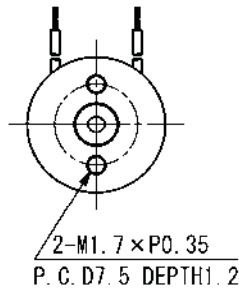


SCL12-22

Precious metal commutation

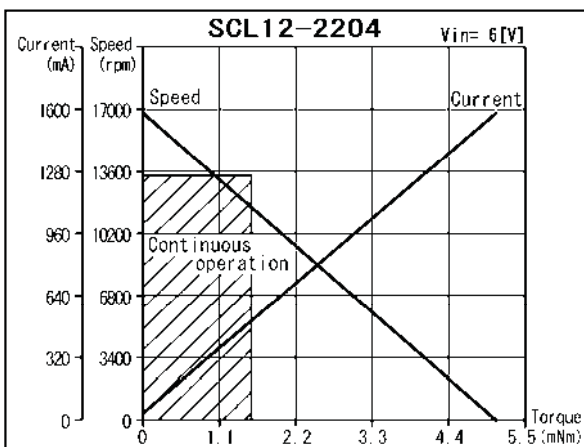


Weight 13.7 g
Dimension in mm

Note) Dimension marked ※ is measured with shaft pushed against motor.

For combination with gearheads: SSG12, SPG12

Ordering number	SCL12					
	-2202	-2204	-2212	-2222	-22H6	
1 Nominal voltage	3	6	9	12	24	V
2 Terminal resistance	2.0	3.8	12	22	160	Ω
3 Output power	1.1	2.3	1.6	1.6	0.84	W
4 Efficiency	67	72	75	75	67	%
5 No-load speed	11770	16800	14340	14000	12300	rpm
6 No-load current	50	35	14	10	5	mA
7 Stall torque	3.5	5.1	4.2	4.3	2.6	mNm
8 Friction torque	0.12	0.12	0.080	0.080	0.090	mNm
9 Back-EMF constant	0.25	0.35	0.62	0.84	1.9	mV/rpm
10 Torque constant	2.4	3.3	5.9	8.0	18.0	mNm/A
11 Slope of N-T curve	3390	3260	3400	3240	4730	rpm/mNm
12 Coil inductance	0.025	0.050	0.16	0.29	2.3	mH
13 Mechanical time constant	12	12	10	10	10	ms
14 Rotor inertia	0.33	0.34	0.27	0.29	0.20	gcm ²
Continuous operation						
15 Max. torque	1.6	1.6	1.6	1.6	1.3	mNm



General specifications

16 Operating temperature	-20...+60	°C
17 Max. coil temperature	+80	°C
18 Thermal resistances	$R_{th1} = 10, R_{th2} = 35$	K/W
19 Bearings type	Sintered sleeves	
20 Max. shaft radial load	1.2 (5 mm)	N
21 Max. shaft axial load	0.2	N
22 Max. axial load at standstill	9.8	N
23 Shaft radial play	0.05	mm
24 Shaft axial play	0.03...0.2	mm

Options: Lead wires length, terminals instead of lead wires, shaft length, special coils, commutator with capacitors.

V01

Specifications subject to change without notice