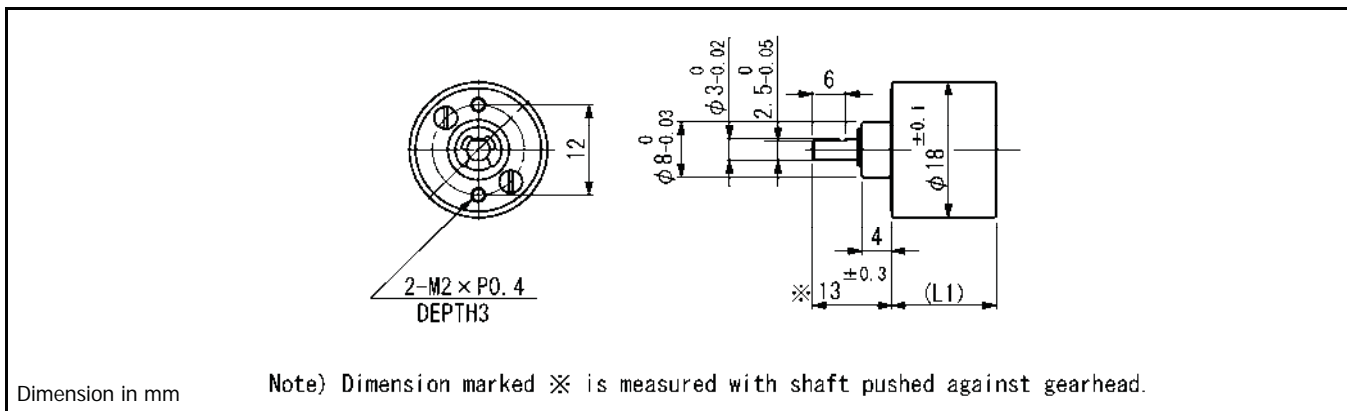


# SSG18

## Spur gearhead



For combination with motors: SCL18-25, SCL18-33

For combination with motor-tachogenerator: SCL18-44

General specifications	SSG18	
Housing material	Metal	
Geartrain material	Metal	
Recommended max. input speed	4000	rpm
Operating temperature range	-10...+60	°C
Max. backlash at no-load, 4 stages	≤ 4	°
Bearings on output shaft	Sintered sleeve bearings	
Max. shaft radial load (10 mm from flange)	4	N
Max. shaft axial load	2	N
Max. shaft press fit force	30	N
Shaft radial play	≤ 0.03	mm
Shaft axial play	≤ 0.2	mm

Ratio (nominal)	Stage	Gearhead length, L1 [mm]	Gearhead weight [g]	Max. allowable torque [mNm]		Length with motor [mm]					Efficiency [%]	Direction of rotation	
				Continuous	Intermittent	SCL18-25	SCL18-33	SCL18-44					
15 : 1	3	12.5	16.4	40	80	38	47.5	56.7				73	≠
27 : 1	3	12.5	16.4	40	80	38	47.5	56.7				73	≠
47 : 1	4	14.9	19.2	40	80	40.4	49.9	59.1				66	=
75 : 1	4	14.9	19.2	40	80	40.4	49.9	59.1				66	=
95 : 1	4	14.9	19.2	40	80	40.4	49.9	59.1				66	=