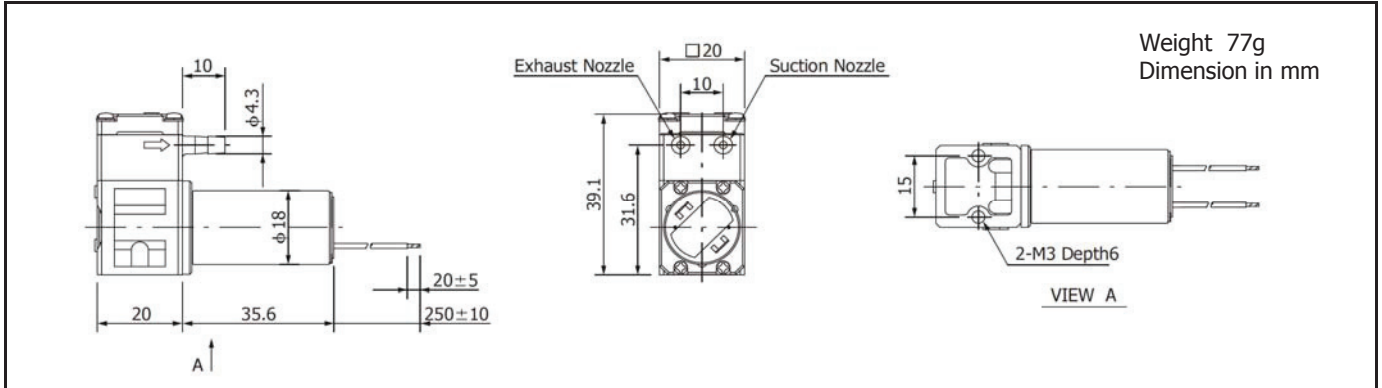
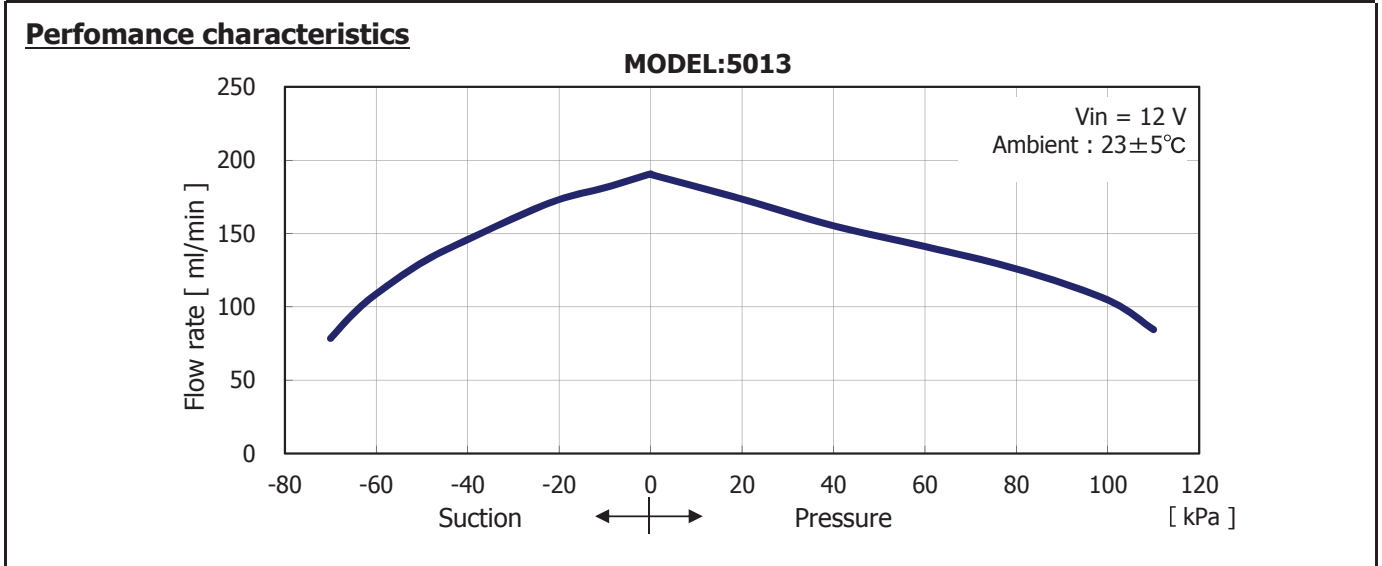


5013

Micro Diaphragm Liquid Pump



Ordering number	5013	
Nominal voltage	12	V
Motor type	DC Coreless Motor	
Maximum flow rate	180	ml/min
Nominal current consumption	190	mA
Pressure range	0...+70	kPa
Suction range	-30...0	kPa



General Specifications		
Ambient temperature range	+5...+50	°C
Fluid temperature	+10...+50	°C
Diaphragm	FKM	
Valve	FKM	
Other wetted materials	FKM,PFA,PTFE	

Options:

- Change of wetted material.

Ordering number	5013	5033	5043
Diaphragm	FKM	FKM*	PTFE
Rubber materials	FKM	FKM*	FFKM

*Good chemical resistance grade

※Please contact our sales division.

Conditions:

Data displayed in this datasheet are measured with purified water at 20°C using a Toalon-G tube of 4 mm internal (6 mm external) diameter and 160 cm length using Namiki standard test equipment.