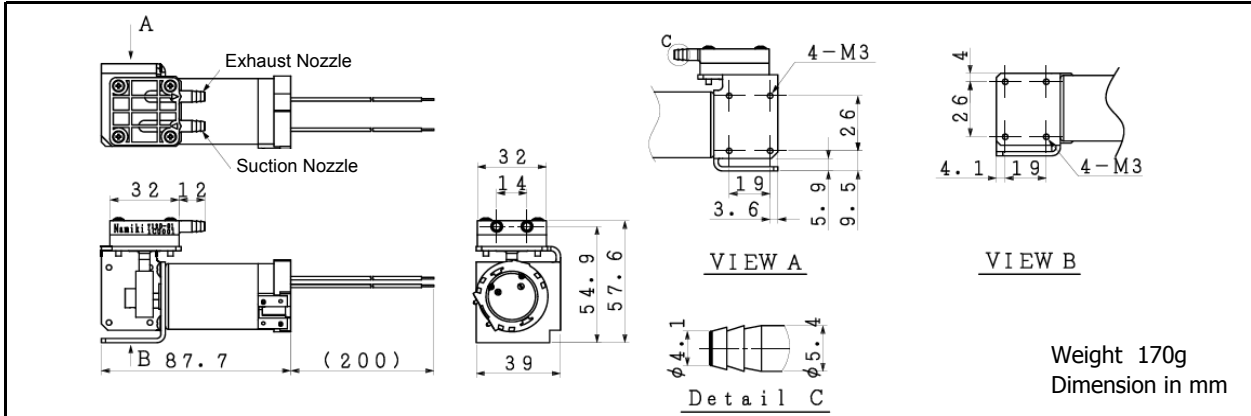


7140

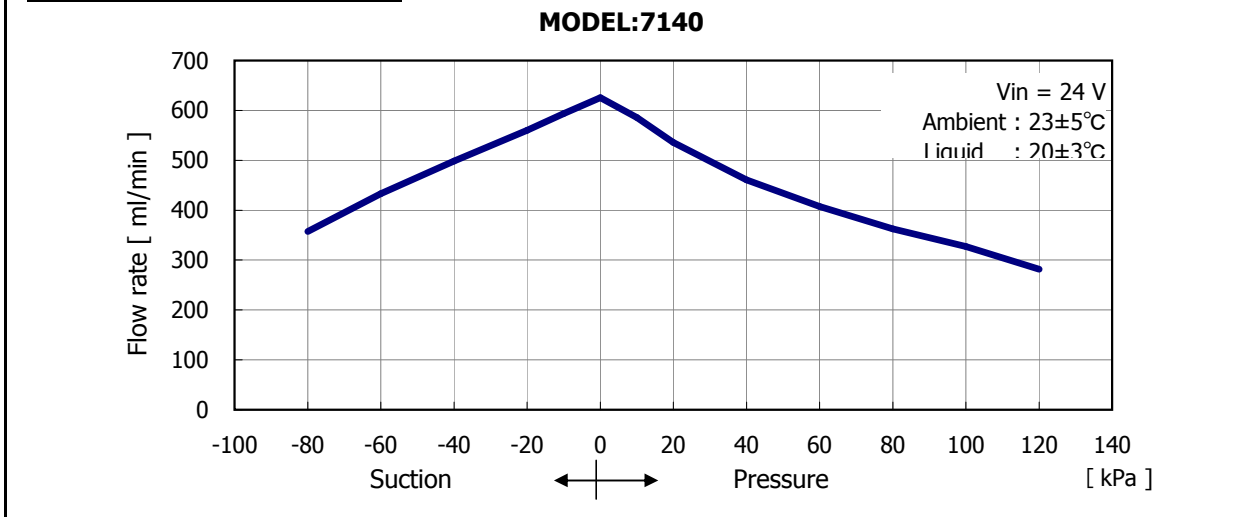
Micro Diaphragm Liquid Pump



Ordering number

Ordering number	7140
Nominal voltage	24 V
Motor type	DC Brush Motor
Maximum flow rate	600 ml/min
Nominal current consumption	150 mA
Pressure range	0...+80 kPa
Suction range	-50...0 kPa

Performance characteristics



General Specifications

Ambient temperature range	+5...+60 °C
Fluid temperature	+10...+70 °C
Diaphragm	PTFE
Valve	EPDM
Other wetted materials	PPS

Options:

- Change of wetted material.

Ordering number	7140
Diaphragm	PTFE
Valve	FFKM

※Please contact our sales division.

Conditions:

Data displayed in this datasheet are measured with purified water at 20°C using a Toalon-G tube of 4 mm internal (6 mm external) diameter and 160 cm length using Namiki standard test equipment.