

Providing the best solution of Haptic for touch panel.

Vibration Speaker VS-A1643

Multi-function Device,
Speaker / Earpiece / Vibration / Haptic



Vibration Speaker VS-A1643

Point 1 High Sensivity

87dB at 2cc

Point 2 Quick Response

Rise time: 30 millisecond

Point 3 Longer Operating Life

48 million cycle durability

Point 4 Silent Vibration

Less than 40dB

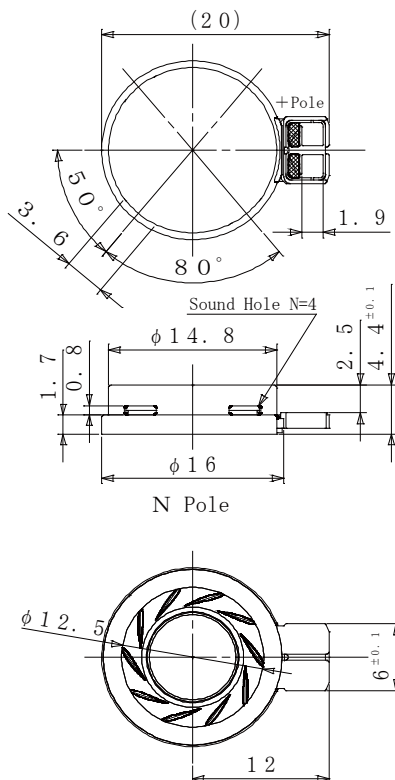
Point 5 Space & Cost Saving

4 functions combined into one component

Point 6 Strength as a Pioneer

Developed world' s first vibration motor. Strong design & engineering capability.

Outline Specification

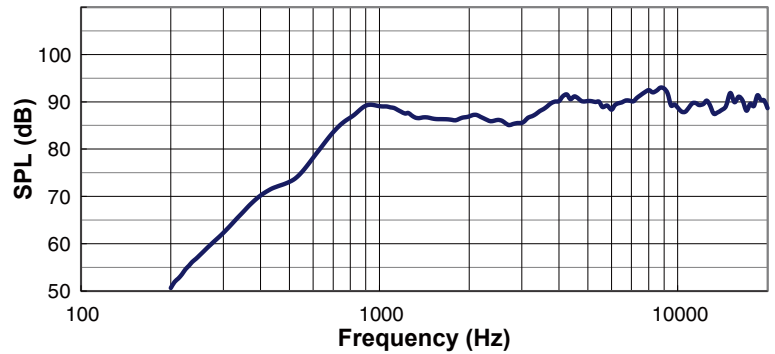
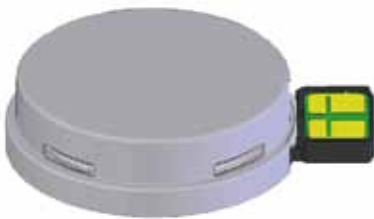


Products		VS-A1643
Dimensions	mm	φ 16 × 4.4
Weight	g	3.0
Sensitivity (0.1W/0.1m)	dB	87.5
DC Resistance	Ω	8.0
Resonant Frequency	Hz	900
Rated Input	W	0.5
Maximum Input Power	W	0.8
Vibration Input Power	W	0.08
Acceleration (@153Hz)	G	0.38Min
Mechanical Noise (0.1m)	dBA	40

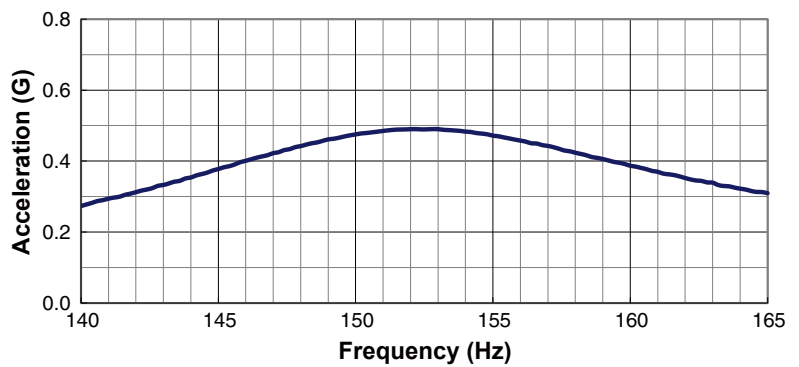
* Input power is calculated by 8 ohm of nominal impedance.

**Measurement Condition Back Volume : 2cc,
Sound hole : 19.8mm², Weight : 100g

■ Frequency Response



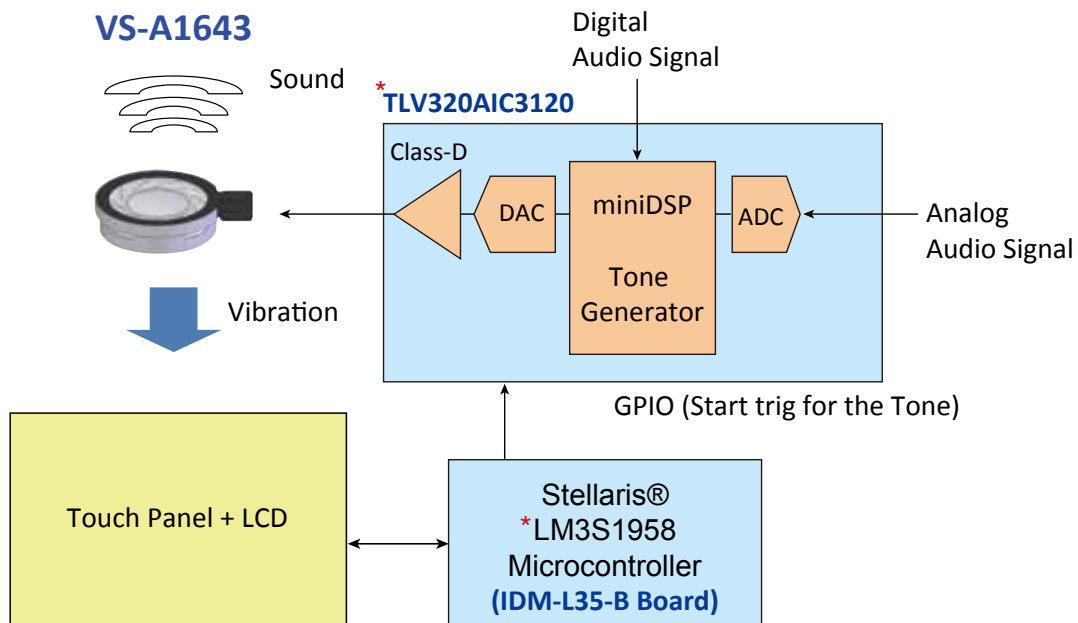
*Measurement Condition 4cc 10cm 0.1W



*Measurement Condition : 100g cube

Namiki recommends our customers Audio Codec IC developed by Texas Instruments Incorporated(TI). As an 4-in-1(Speaker, Earpiece, Vibration & Haptic) device controller for touch screen mobile phones, it can bring vibration speaker's optimum performance into play.

Block Diagram for Haptic Application & Touch Panel Mobile Phone



*Product of Texas Instruments. Stellaris is a registered trademark of Texas Instruments.



TI's logo is the trademark of Texas Instruments.